

# Reduce Costs, Improve Efficiencies by Consolidating Voice and DIA

Our customers can now benefit from ANPI's "Unified Voice and DIA" service.

## What does this mean for you?

### Quite simply — 100% guaranteed savings.

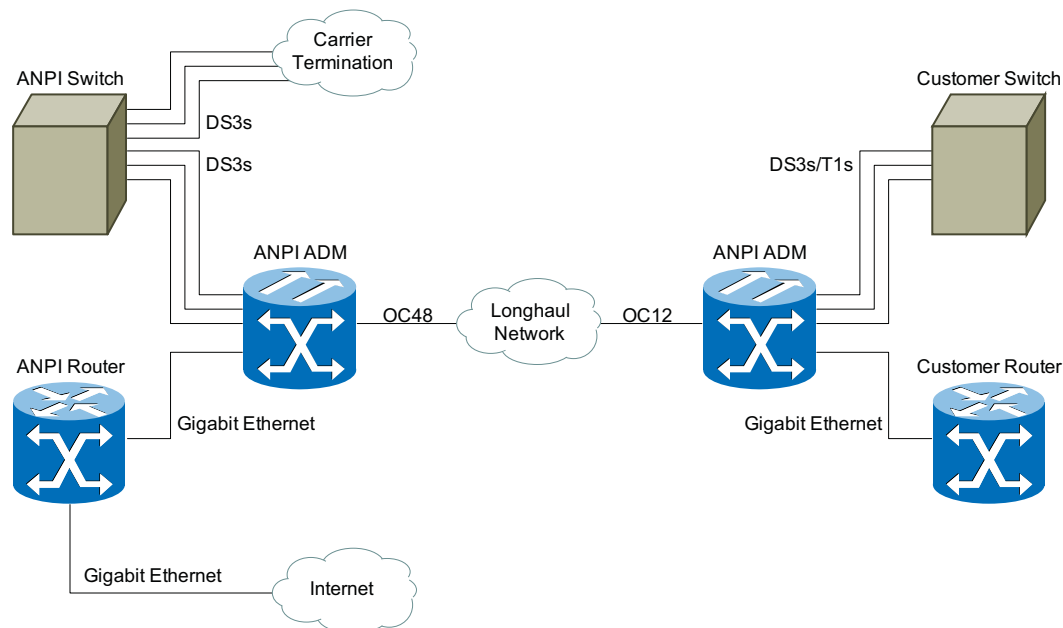
- ANPI can offer low per meg bandwidth cost options for DIA services, as well as, best-in-class competitive dedicated voice services over the same connection.
- ANPI's customers can stop paying for under-utilized bandwidth and stop paying for separate IP transport.
- ANPI's carrier-grade network has been engineered to efficiently transport both traditional Voice and DIA traffic via an integrated protected circuit to ANPI's network.
- Significantly enhanced visibility to your traffic including daily views.
- More complete billing records. Every CDR generated contains a carrier identification code.

## What do we need from you to get started?

1. Estimation of TDM capacity needs.
2. Estimation of DIA capacity needs.

## What we'll do:

1. Calculate your bandwidth needs.
2. Provide a circuit quote.
3. Analyze quote against current costs to identify realized savings.
4. Order necessary circuit and hardware.
5. Orchestrate a managed cutover.



If you are currently paying for separate Internet and voice transport circuits or under-utilizing the bandwidth you are paying for, please contact your ANPI account representative for a consolidated quote to support your desired services.



For more information call 877-FON-ANPI or visit us online at [www.anpisolutions.com](http://www.anpisolutions.com).